

NAV - Sewer Connection



*If mandatory fields (marked with a *) are not completed this could result in your application being returned.*

1. NAV Applicants Details

Contact Name	<input type="text"/>	*
Company	<input type="text"/>	*
Address	<input type="text"/> <input type="text"/> <input type="text"/>	*
Post Code	<input type="text"/>	*
Contact Telephone Number(s)	<input type="text"/>	*
Email address	<input type="text"/>	*

2. Site information *

Site address	<input type="text"/> <input type="text"/> <input type="text"/>	*
Post Code	<input type="text"/>	*
Grid reference	<input type="text"/>	*

3. Type of flow to be communicated with public sewer *

(Please tick as appropriate specifying one flow type only. Separate applications are required for each flow type to be communicate (i.e. directly or indirectly) with the public sewer)

Foul Water only	Yes	<input type="checkbox"/>
Surface Water only	Yes	<input type="checkbox"/>
Highway runoff	Yes	<input type="checkbox"/>

Land Drainage runoff Yes

Combined connection Yes

4. Status of public sewer *

I hereby give 21 days (minimum) notice of my intention to make the above connection / communication.

The connection / communication will be made on or after: - ____/____/____ (d/m/y)

I undertake:

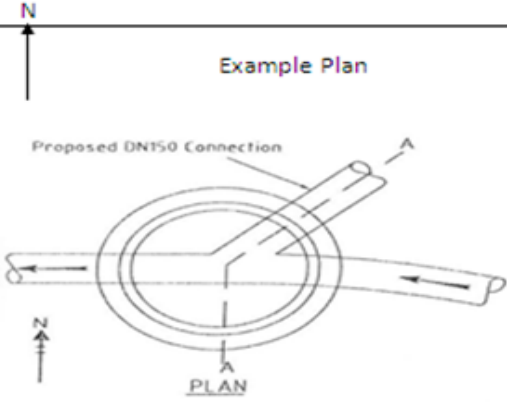
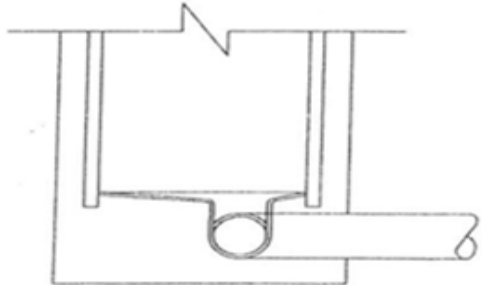
That upon approval, I shall submit the Access to Assets (AF02 Form) to DCWW then give at least two Business Days notice before commencing work, to allow their representative to superintend the work.

To pay for the cost of the inspection, payable on completion.

Signed

Date *

5. Manhole connection plan *

Plan	Section
<p style="text-align: center;">Example Plan</p> 	<p style="text-align: center;">Example Section</p> 

6. Contractor details *

Name

Address

Contact number

Email address

Check List

Please enclose:

Health & Safety Approved Contactor, Approving Organisation Registration details etc

Copy of Planning Application Form

Copy of planning permission (including evidence of discharge of any pre-commencement conditions relating to discharge)

Copy of Public Sewer Record (indicating properties and route of drain connecting to the public sewer)

Manhole Connection Plan and Section

For new builds, please indicate the number of properties the connection will serve

Signed

Date